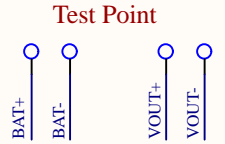
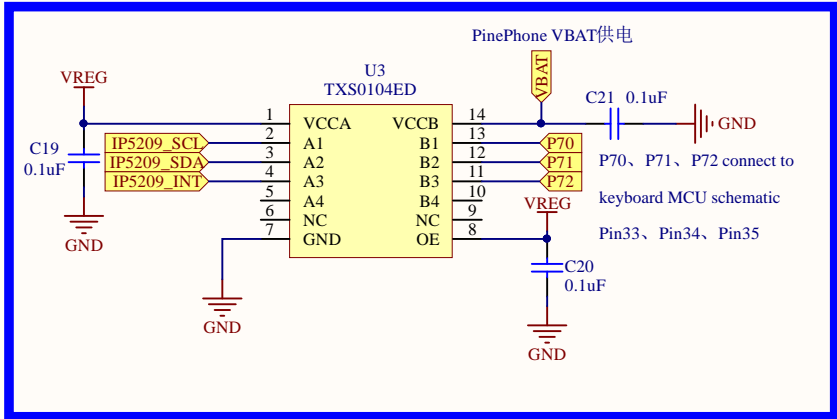
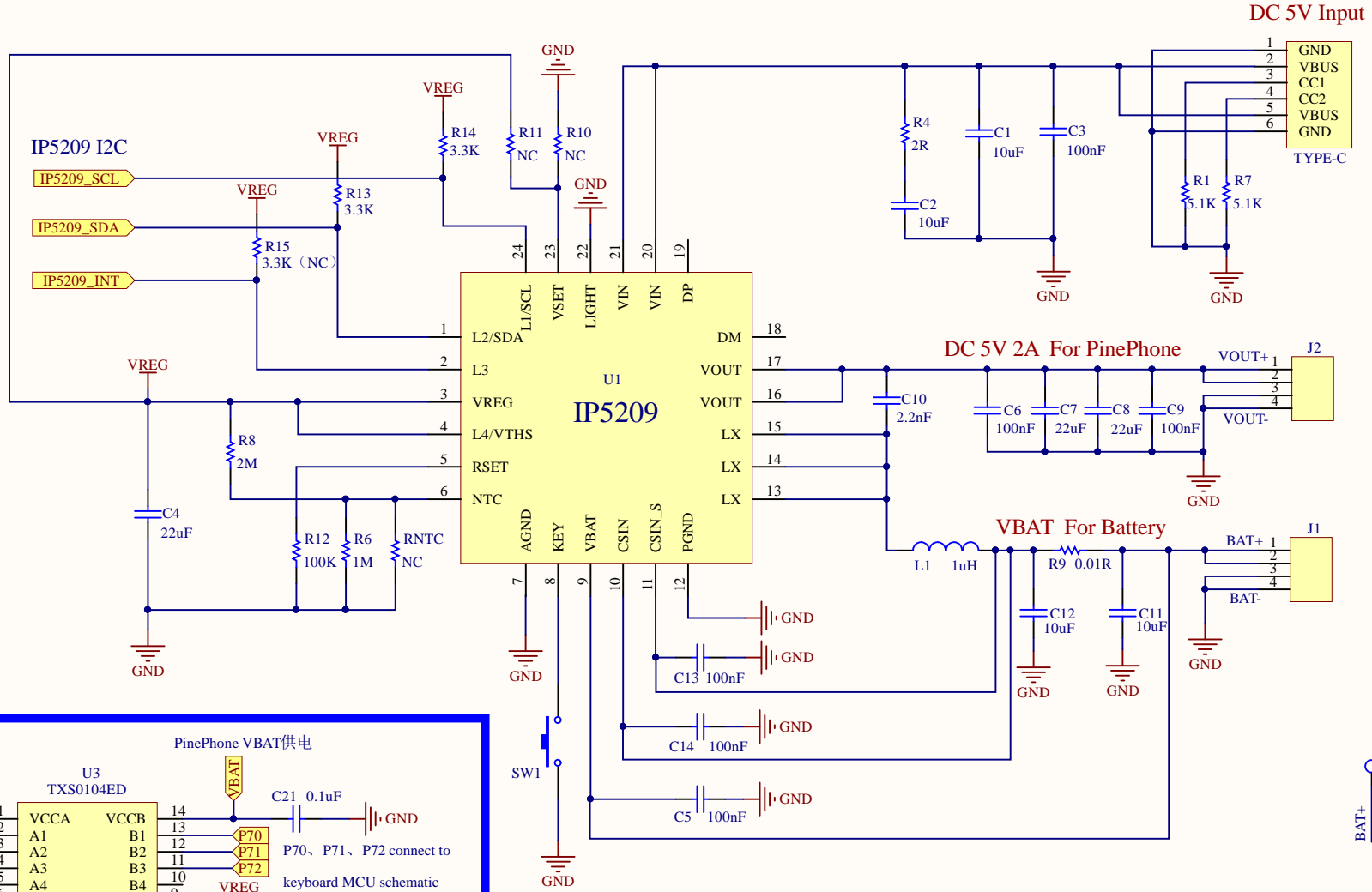
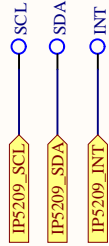
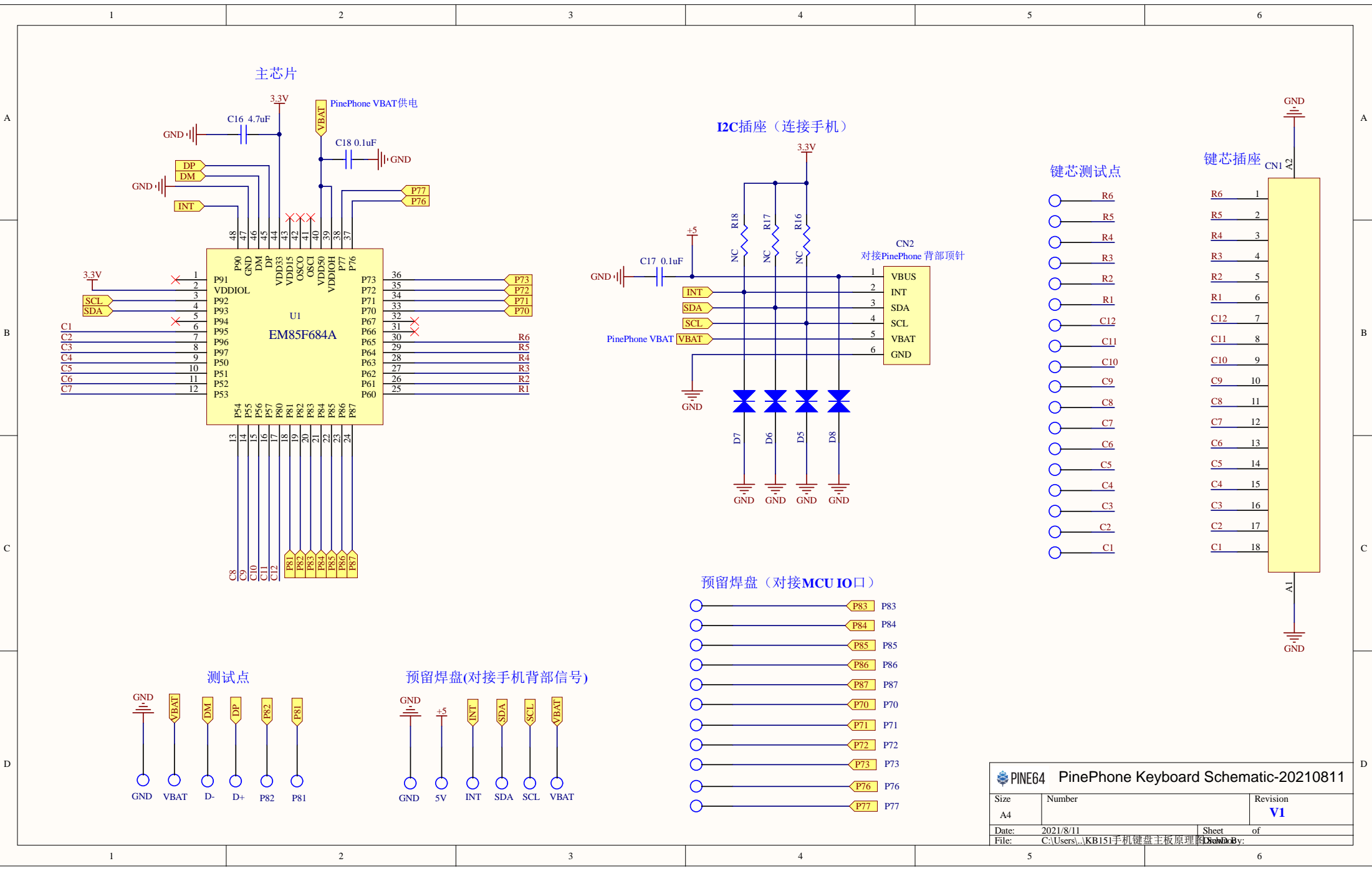


充电板I2C预留焊盘



PINE64 PinePhone Keyboard Schematic-20210811		
Size A4	Number	Revision V1
Date: 2021/8/11	Sheet of	
File: C:\Users\...\KB151手机键盘充电板原理图SchDoc		



PINE64 PinePhone Keyboard Schematic-20210811		
Size	Number	Revision
A4		V1
Date:	2021/8/11	Sheet of
File:	C:\Users\...\KB151手机键盘主板原理图	Drawn by: